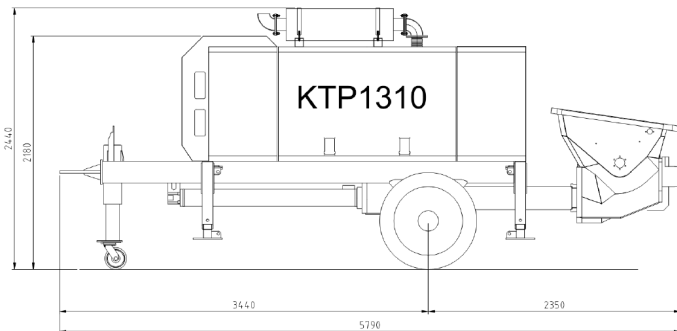


KTP-1310-DC



Pump specifications	
Engine	PU086T(205ps/2200rpm)-DOOSAN
Engine rpm	1900 rpm
Maximum output	63(High), 96(Low) [m ³ /h]
Main cylinder	Ø120/ Ø70×1400ST
Concrete cylinder	Ø200×1400ST
Cycling system	Hydraulic with manual overrides
Stroke per minute	24(High), 36(Low)
Concrete pressure	126(High), 83(Low) [bar]
Hopper capacity	0.6 [m ³]
S-tube	Ø200×Ø180
Hydraulic pump	Kawasaki 200S
Max. aggregate size	40 [mm]
Vertical distance	180(High), 118(Low) [M] (slump 8 cm)
Horizontal distance	315(High), 207(Low) [M] (slump 8 cm)

- ⊙ Maximum theoretical values listed.
- ⊙ Photos and drawings are for illustrative purpose only
- ⊙ Dimension will vary with different truck makers, models and specifications
- ⊙ Right to make technical amendments reserved