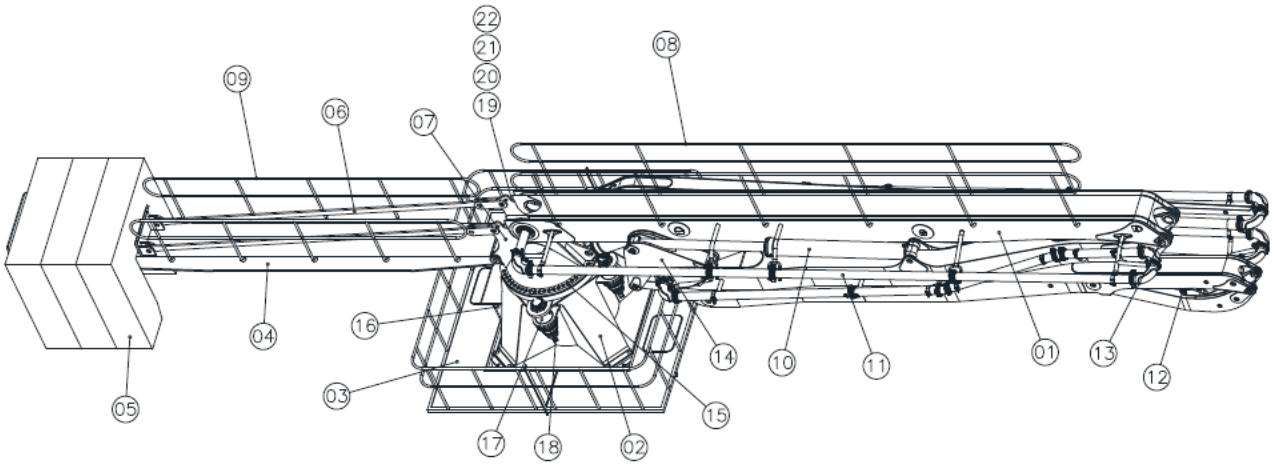


Dicomm-KB-M52RZ



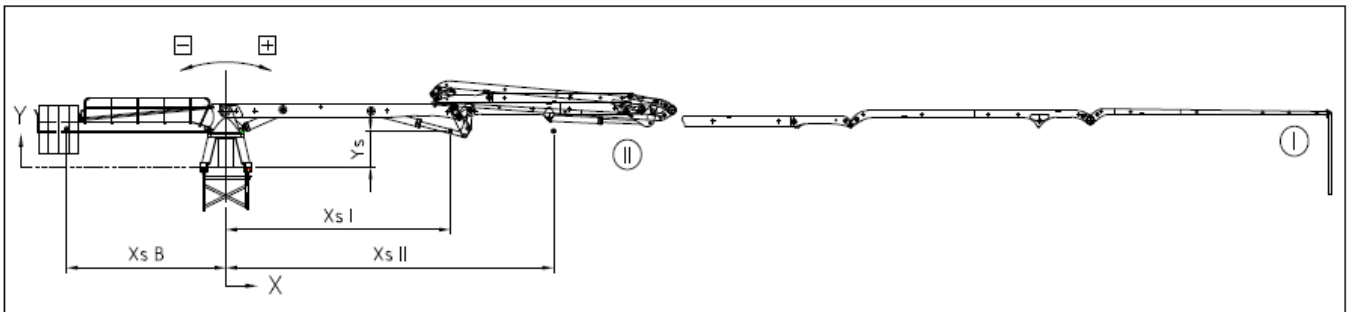
Dicom Machinery - KCP

Placing Boom System Layout



NO.	ITEM	NO.	ITEM
01	BOOM BODY (KB-M52RZ)	16	ELECTRIC PANEL
02	TURNING BASE	17	REDUCTION GEAR BOX
03	WORKING PLATFORM	18	OIL MOTOR FOR TURNING
04	COUNTER JIB	19	BOOM CONTROL V/V
05	COUNTER WEIGHT	20	ELECTRIC MOTOR
06	TIE ROD	21	BOOM OIL PUMP
07	TURN TABLE	22	BOOM FILTER
08	GUIDE RAIL-BOOM	23	-
09	GUIDE RAIL-COUNTER JIB	24	-
10	BOOM CYLINDER	25	-
11	DELIVERY PIPE	26	-
12	LOAD HOLDING V/V	27	-
13	BOOM PIN	28	-
14	BOOM LINK	29	-
15	SLEWING GEAR	30	-

Placing Boom System Technical data



MOMENT [KNm]				
Position of boom		→ + Moment(boom side)	- → Moment(Counter weight side)	↔ Deduction moment
I	with concrete in pipe-line	→ 2,080 kNm	← 1,205 kNm	→ 875 kNm
II	without concrete in pipe-line	→ 1,165 kNm	← 1,205 kNm	← 40 kNm

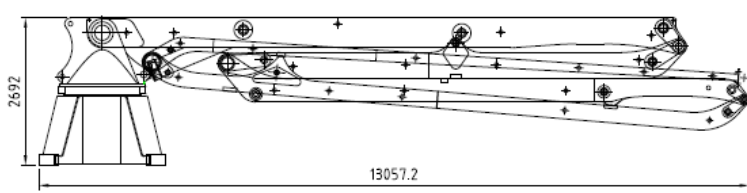
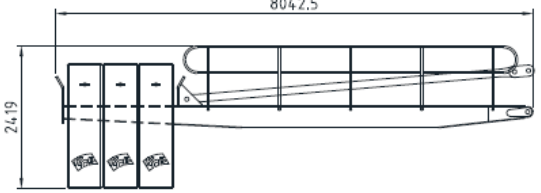
Total weight [kg]	
In operation : 33,400 kg	Out of operation : 31,950kg

MOMENT [KNm]			
Position of boom	Wind-exposed area	Center of gravity distance	remark
I	30.5 M ² / boom-side	$X_s I = 14.9$ m	Wind surface perpendicular to frontal wind
II	29.7 M ² / boom-side	$X_s II = 10.2$ m	
--	6.3 M ² / Counter weight-side	$X_s B = 7.5$ m	
I / II	3.3 M ²	$Y_s = 1.6$ m	Exposed area in frontal wind

Absolute altitude [m]	0-8	8-20	20-100	100 이상
W [kNm ²]	800	1280	1760	2080

$F = W \times A_w$ $F =$ wind force, $W =$ lateral thrust due to wind, $A_w =$ wind surface area

Standard scope

Boom assembly (with adaptor & slewing system)	Counter jib & concrete ballast
	
<p>Boom assembly : 1set Total weight : 18,600 kg</p>	<p>Counter jib : 1set – 2,400kg Concrete ballast : 3ea (4,800 X 3 = 14,400kg) Total weight : 16,800 kg</p>

***Boom specification & technical specification**

Boom type	5sec RZ	Slewing system	Size(W×L×H)	2300×2300×2700	
Horizontal reach	50.2 m		Weight	6,650 kg	
Vertical reach	52.6 m	Counter jib	Length	8.4 m	
Depth reach	41.8 m		Weight	2,400 kg	
Boom length	1ST	10.6 m	Concrete ballast	Size(W×L×H)	600×2000×2110
	2ND	8.3 m		Weight	4,800 kg/pcs
	3RD	9.5 m	Boom rotation	1ST	45 °
	4TH	10.9 m		2ND	180 °
	5TH	10.9 m		3RD	225 °
End hose length	4 m	4TH		180 °	
Delivery line	125 mm(5")	5TH		210 °	
Boom weight	11,950 kg	Power		AC380V/60Hz	

Working diagram

